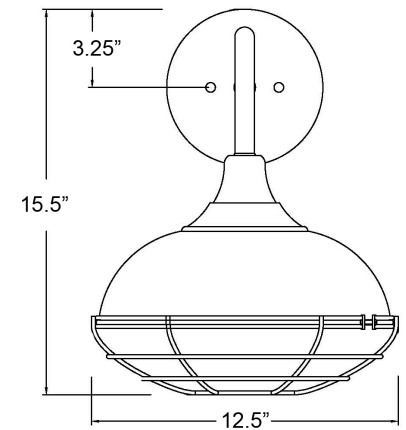
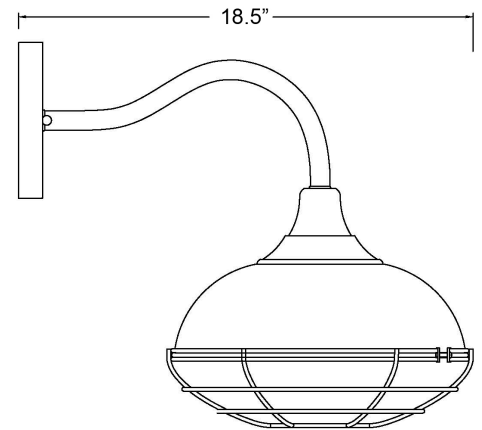


1782ORB

AFTON 1-LIGHT WALL LANTERN



Description:	Afton 1-Light Wall Lantern
Finish:	Oil-Rubbed Bronze
Dimensions:	12-1/2" W x 15-1/2" H x 18-1/2" ext. Height on Center: 3-1/4"
Bulbs:	1-60W Med.
Installed Weight:	
Certification:	cETL / wet location

Material:	Steel and glass
Shade:	NA
Glass:	NA
Back Plate Dimensions:	6-1/4" Dia.
Chain/Wire:	NA
Additional Finishes:	NA